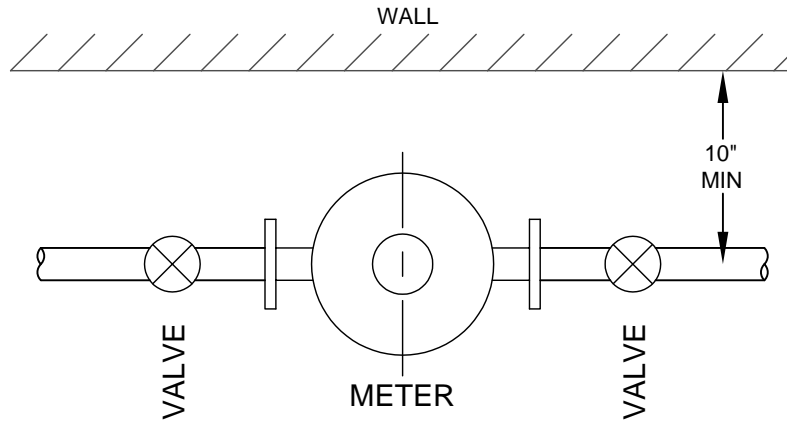
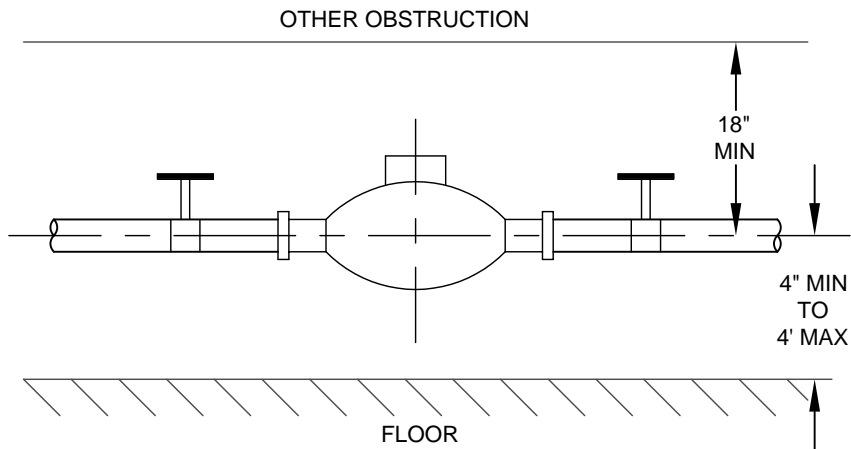


TOP VIEW



SIDE VIEW



NOTES:

There shall be a 600 WOG ball valve on both sides of the meter.

Meters smaller than 2" require a meter horn.

At no time is this detail to supercede but rather to work in conjunction with other standards and specifications.



CITY OF HOLLAND, MICHIGAN
 Holland Board of Public Works
 Utility Services Department
 625 Hastings Ave., Holland, MI 49423
 Phone: (616) 355-1643 - Fax: (616) 355-1560
 Director: John Van Uffelen, P.E.

**METER INSTALLATION, 2" AND UP
 STANDARD DETAIL**

DRAWN BY JAB	SCALE NONE	DATE 07-07-2008
APPROVED BY ARP	SHEET WS-5	DWG FILE Meter Installation.dwg