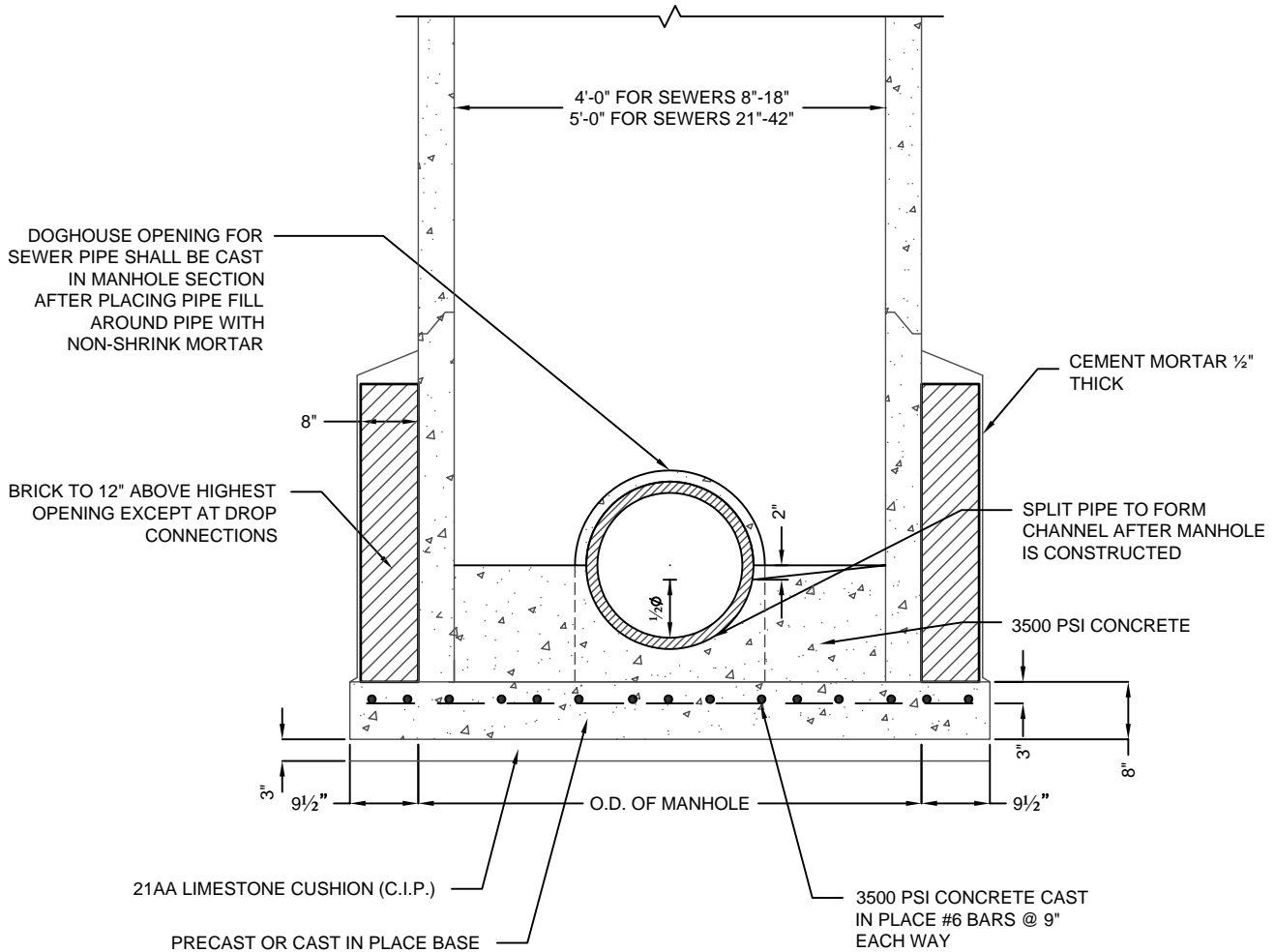


DOG HOUSE CUT OUT SIDES	
SEWER SIZE	MAX CUT OUT
8" – 10"	17½"
12" – 15"	20"
18" – 24"	30"



**NOTES:**

Refer to other Standard Details for remaining parts of the sanitary sewer system. Also, refer to the Contract Specifications. At no time are these details to supercede but to work in conjunction with other standards and specifications.

For details of manhole, see detail "SAN-1" and "SAN-2".



**CITY OF HOLLAND, MICHIGAN**  
**Holland Board of Public Works**  
 Water & Wastewater Department  
 625 Hastings Ave., Holland, MI 49423  
 Phone: (616) 355-1643 - Fax: (616) 355-1560  
 Director: John Van Uffelen, P.E.

**MH OVER EXISTING  
 STANDARD DETAIL**

DRAWN BY DJS	SCALE NONE	DATE 02-28-2005
APPROVED BY DLW	SHEET SAN-9	DWG FILE MH OVER EXISTING.DWG